



# TTS EM-CE

## Cellular ready-to-go, High-Definition Text to Speech

Real-time SMS/Text announcements spoken directly on speakers from cellular SMS/text & Email data

Supports Mass Notification, Security and Fire Alerts. Works with existing Campus Notification Software to improve coverage and effectiveness.

- Send SMS & Text directly from a mobile phone to generate speech directly to speakers.
- Ready to use out of the box, with provisioned telephone number\* from Verizon™.
- Over 25 international languages and voices supported.

---

TTS-EM-CE text to speech earBridge™ amplifier transfers SMS and emergency cellular text messages directly to endpoint speakers and paging systems. Simply send an SMS message to the pre-assigned telephone number and the earBridge amplifiers speaks your message in a clean, high definition voice. The system supports up to 9 voices and 25 languages.

- 
- |  |   |
|--|---|
| <ul style="list-style-type: none"> <li>• Text to Speech supports up to 9 concurrent TTS languages or gender voices. Choose from over 25 voices</li> <li>• High Definition amplifier offers unparalleled intelligibility and direct drive for paging system speakers</li> <li>• Optional Interfaces to LED signage and scrolling message displays</li> <li>• Seamless switching from TTS to/from user stored pre-recorded audio files using inline control codes</li> <li>• Integrated command and control language provides complete user control from remote locations</li> </ul> | <ul style="list-style-type: none"> <li>• Flexible power options permit powering from a wide voltage range of 9 to 24 volts</li> <li>• Ambient noise sensing uses speakers to simplify installs. LEDs and terminal report real-time noise levels and volume</li> <li>• User definable power regulation permit 3, 8 and 25 watt operation to protect downstream speakers from overload</li> <li>• Flash based, with upgradeable file transfer support and dictionary management</li> <li>• Simple integration into EXISTING products. No special programming required.</li> </ul> |
|--|---|

---

Arabic Chinese Czech Danish Dutch English (UK) English (US) Finnish French (F) (B) (C)  
German Greek Japanese Korean Italian Norwegian Polish Turkish Portuguese Russian Spanish (NA) (C) Swedish

- 
- Alarm & Security • Health Care • Signage to Audio • Machine Interfaces • Mass Notification • Industrial Status
  - Transit Systems • Assistive Speech • ADA Compliance

**TextSpeak** 

## SPECIFICATIONS

### Core Technology TTS-EM-CE

**Languages supported:** Arabic Chinese Czech Danish Dutch English (UK) English (US) Finnish French (F) (B) (C) German Greek Japanese Korean Italian Norwegian Polish Turkish Portuguese Russian Spanish (NA) (C) Swedish (*Contact us for latest list*)

**Control Interface** USB

**Data Service rates** 2G

**TTL UART Serial Interface** 3.3v non-inverting for uP connections

**Prerecorded file support Protocol** 16bit PCM/uLaw

**Speaker Out** Selectable 3.5.25 watt outputs 8ohms or Bal 600ohm in 3 watt mode

**Line Out -10dbm Typical** 1v p/p

**Manual Volume Adjustment** 10 steps 4db/step

**Ambient Noise Detection** 60-90db SPL

**Automatic Level Control** 12db/20 db selectable over 30db of Ambient noise

**Expansion Bus** USB for Flash Memory transfers

**Power (Nominal)** 12V (for 8 watt audio power out) 24 (25w audio power out)

**Remote Diagnostics** Reporting over USB and Cell

**Remote Programming** Flash programmable via USB

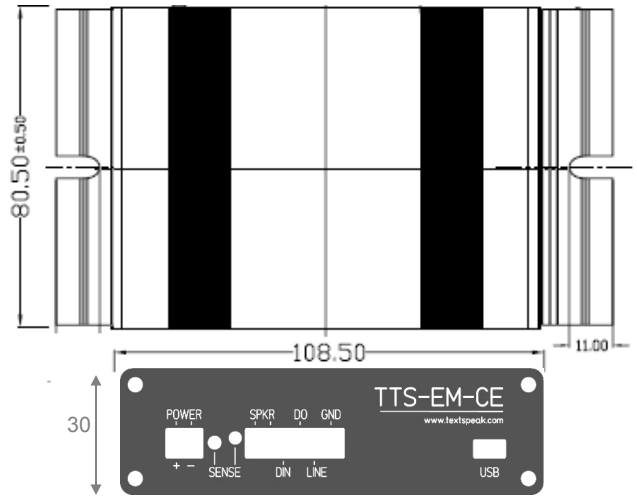
**Fault Management** Short circuit speaker recovery fault detection

**Connector I/O** 3.81 MM DIN Plugables, RJ45, USB-B, 2.1MM power

**Temperature** -30~70 C (Operating), -40 C~85 C (Storage)

**Size** 141 mm x84mm x 30mm **Weight** 230 g (8oz)

## DIMENSIONS



## Command and Control

**TEXT/SMS directly to voice with TTS-EM-CE. High definition voices are spoken within seconds from SMS/TEXTS from any Cell Phone. RSS and other data feed may be monitored and spoken as they appear on the Cloud .**

Convert existing deployments of dynamic visual display data directly to voice. Ready to interface to single endpoint speakers or large paging systems. Monthly service available with 2G for under \$10/month, No contract required. TextSpeak can PREPROVISION and have your TTS-EM-CE arrive with a pre-assigned telephone number., READY TO USE out of the box, Look for our APP, in your app store send pre-built messages.



\* Monthly service required with minimum 100kb/mo usage plans at under \$10/mo

## TEXTSPEAK ® EULA Text to Speech End User License Restrictions

The end user is licensed to use the TTS-EM for speech generation for real-time Text to Speech conversation and playback in a public place. The end user may not use the TTS-EM to record and/or save audio in stored files to be used to playback or broadcast in any public place.

## TEXTSPEAK ® PRODUCT FAMILY

### Industrial Audio



### Modules for OEM



### Commercial Add-Ins



### Application Support



This document may contain advance information. Contact TextSpeak factory for technical specification before product design and/or use. Design and specifications are subject to change without notice. Digital Acoustics' product designs are packaged by leading manufacturers around the world. Digital Acoustics and Verizon are a registered trademarks. © 2016 Digital Acoustics Corporation TextSpeak Design Group (CE-DS-1.1)

Westport, CT USA

T +1 203-803-1069

sales@textspeak.com

www.textspeak.com