



earBridge

Cellular ready-to-go, High-Definition Text to Speech

Real-time SMS/Text announcements spoken directly on speakers from cellular SMS text message data

Supports Mass Notification, Security and Fire Alerts.
Works with existing campus notification software to improve coverage and effectiveness.



- Send SMS & Text directly from a mobile phone to generate speech directly to speakers.
- Ready to use out of the box, with provisioned telephone number* from Verizon™.
- Over 25 international languages and voices supported.
- Works with TextSpeak NOTIFY! as a zone extender.

earBridge™ amplifier transfers SMS and emergency cellular text messages directly to endpoint speakers and paging systems. Simply send an SMS message to the pre-assigned telephone number and the earBridge amplifiers speaks your message in a clean, high definition voice.

- | | |
|--|---|
| <ul style="list-style-type: none"> • Text to Speech supports up to 9 concurrent TTS languages or gender voices. Choose from over 25 voices • High Definition amplifier offers unparalleled intelligibility and direct drive for paging system speakers • Optional Interfaces to LED signage and scrolling message displays • Seamless switching from TTS to/from user stored pre-recorded audio files using inline control codes • Integrated command and control language provides complete user control from remote locations | <ul style="list-style-type: none"> • Flexible power options permit powering from a wide voltage range of 9 to 24 volts • Ambient noise sensing uses speakers to simplify installs. LEDs and terminal report real-time noise levels and volume • User definable power regulation permit 3, 8 and 25 watt operation to protect downstream speakers from overload • Flash based, with upgradeable file transfer support and dictionary management • Simple integration into EXISTING products. No special programming required. |
|--|---|

Arabic Chinese Czech Danish Dutch English (UK) English (US) Finnish French (F) (B) (C)
German Greek Japanese Korean Italian Norwegian Polish Turkish Portuguese Russian Spanish (NA) (C) Swedish

- Alarm & Security • Health Care • Signage to Audio • Machine Interfaces • Mass Notification • Industrial Status
- Transit Systems • Assistive Speech • ADA Compliance



SPECIFICATIONS

Model TTS-EB-CE

Languages supported: Arabic Chinese Czech Danish Dutch English (UK) English (US) Finnish French (F) (B) (C) German Greek Japanese Korean Italian Norwegian Polish Turkish Portuguese Russian Spanish (NA) (C) Swedish (*Contact us for latest list*)

Control Interface USB

Data Service rates LTE (CATM1/4G)

TTL UART Serial Interface 3.3v non-inverting for uP connections

Prerecorded file support Protocol 16bit PCM/uLaw

Speaker Out Selectable 8/25 watt outputs 8ohms

Line Out -10dbm Typical 1v p/p

Manual Volume Adjustment 10 steps 4db/step

Ambient Noise Detection 60-90db SPL

Automatic Level Control 12db/20 db selectable over 30db of Ambient noise

Expansion Bus USB for Flash Memory transfers

Power (Nominal) 12V (for 8 watt audio power out) 24 (25w audio power out)

Remote Diagnostics Reporting over USB and Cell

Remote Programming Flash programmable via USB

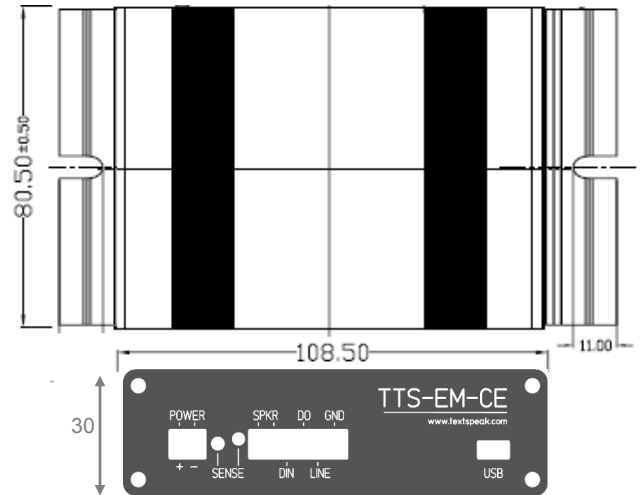
Fault Management Short circuit speaker recovery fault detection

Connector I/O 3.81 MM DIN Plugables, RJ45, USB-B, 2.1MM power

Temperature -30~70 C (Operating), -40 C~85 C (Storage)

Size 141 mm x84mm x 30mm **Weight** 230 g (8oz)

DIMENSIONS



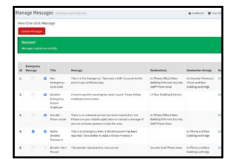
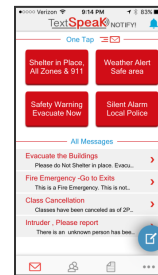
Command and Control

TEXT/SMS directly to voice. High definition voices are spoken within seconds from SMS/TEXTS from any Cell Phone. RSS and other data feed may be monitored and spoken as they appear on the Cloud .

Convert existing deployments of dynamic visual display data directly to voice. Ready to interface to single endpoint, speakers or large paging systems. Monthly service available with CATM1 LTE PREPROVISION with a pre-assigned telephone number., **READY TO USE** out of the box, Look for our APP, in your app store send pre-built messages.



earBridge™



* Monthly service required with minimum 100kb/mo usage plans at under \$10/mo

TEXTSPEAK® EULA Text to Speech End User License Restrictions

The end user is licensed to use the TTS-EM for speech generation for real-time Text to Speech conversation and playback in a public place. The end user may not use the TTS-EM to record and/or save audio in stored files to be used to playback or broadcast in any public place.

TEXTSPEAK® PRODUCT FAMILY

Ethernet, WiFi, Cellular, Serial

earBridge™



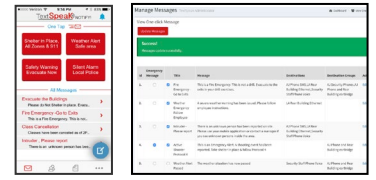
Modules for OEM



Flexible Add-Ins



Mobile and Cloud Applications



This document may contain advance information. Contact TextSpeak factory for technical specification before product design and/or use. Design and specifications are subject to change without notice. TextSpeak product designs are packaged by leading manufacturers around the world
© 2014-2019 TextSpeak Corporation earBridge® is a registered trademark (TS-EB-CE)